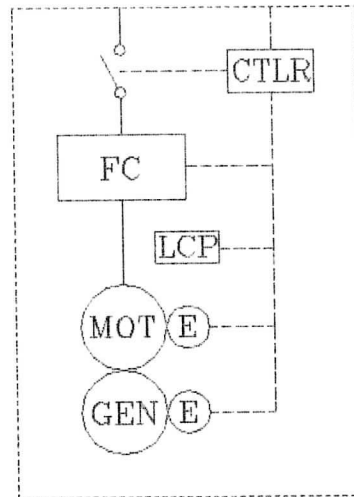


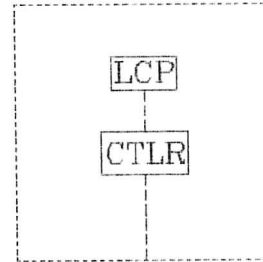
18OCT91

—— Power
- - - - Information

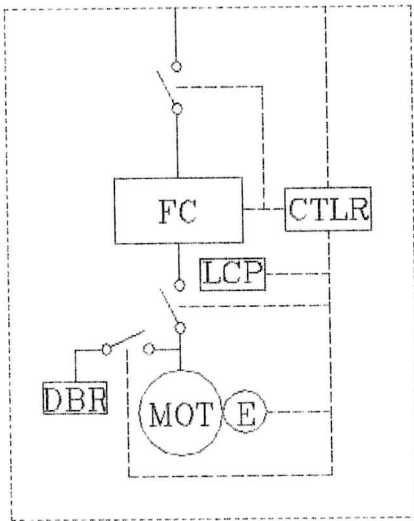
PDSS



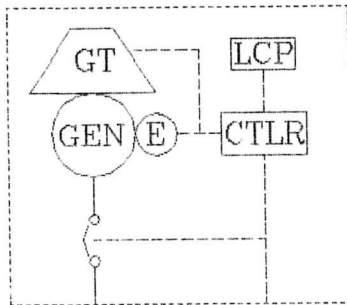
Propulsion Control Console



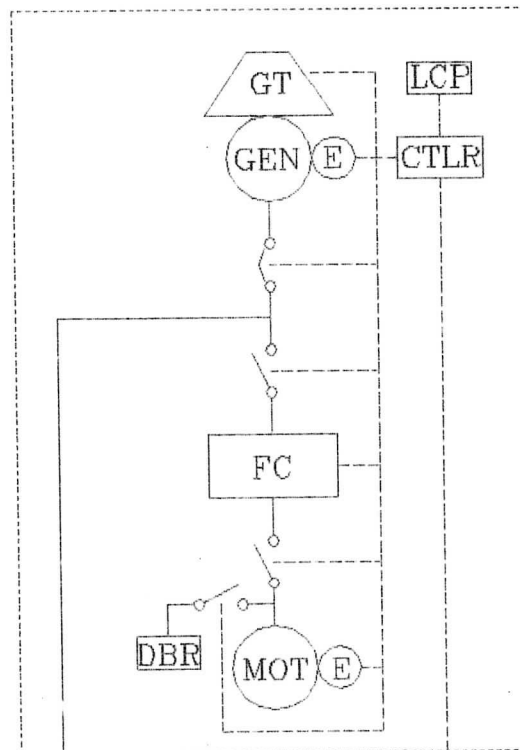
Motor



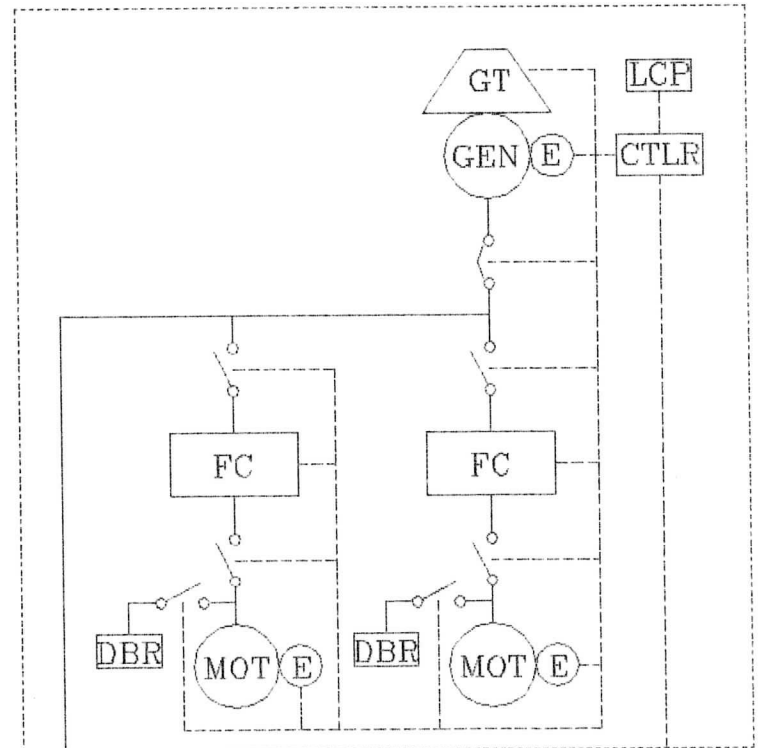
Generator



Shaft Set



Counter Rotating Shaft Set

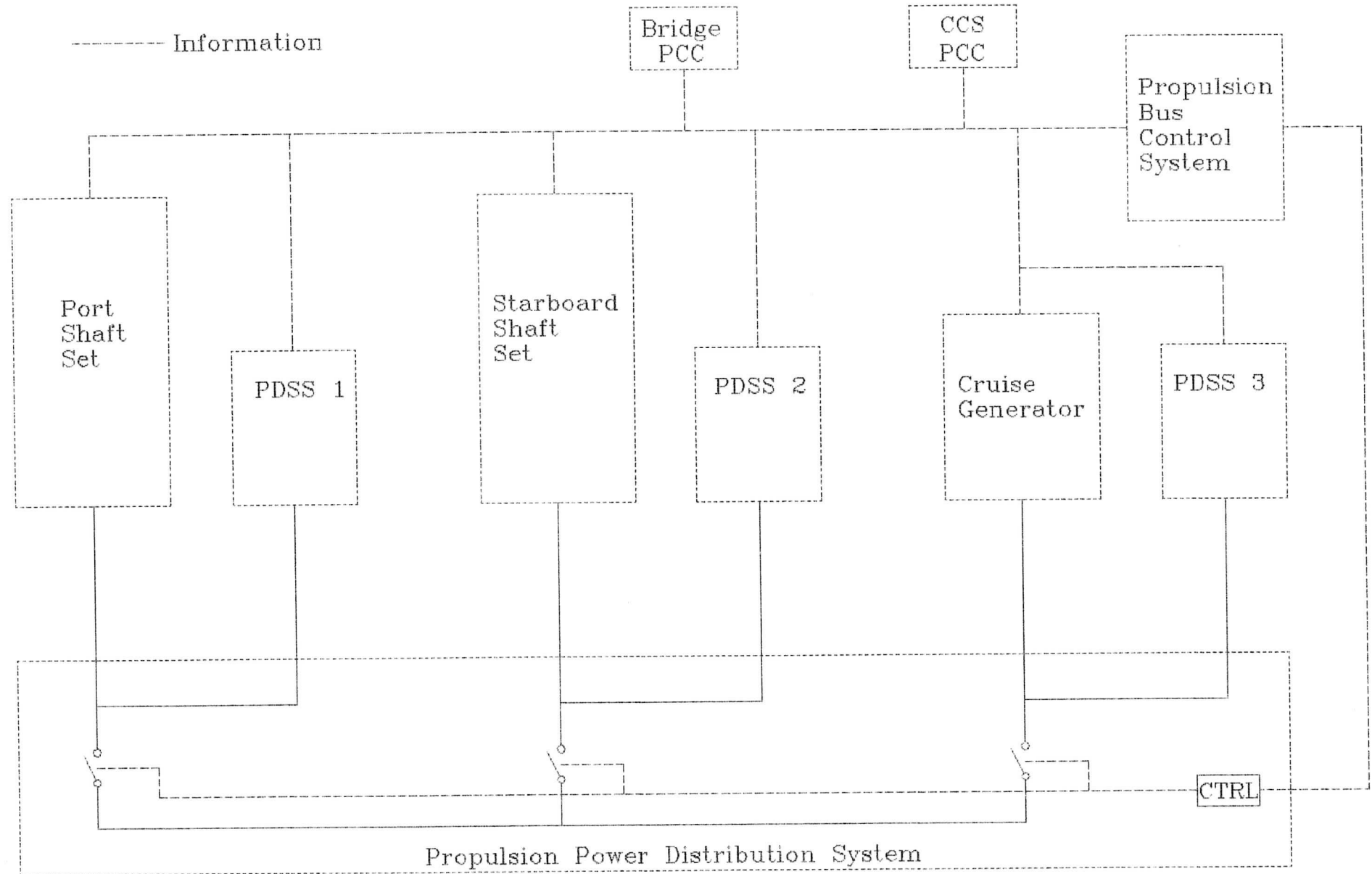


19OCT91

Destroyer Integrated Electric Drive System

—— Power

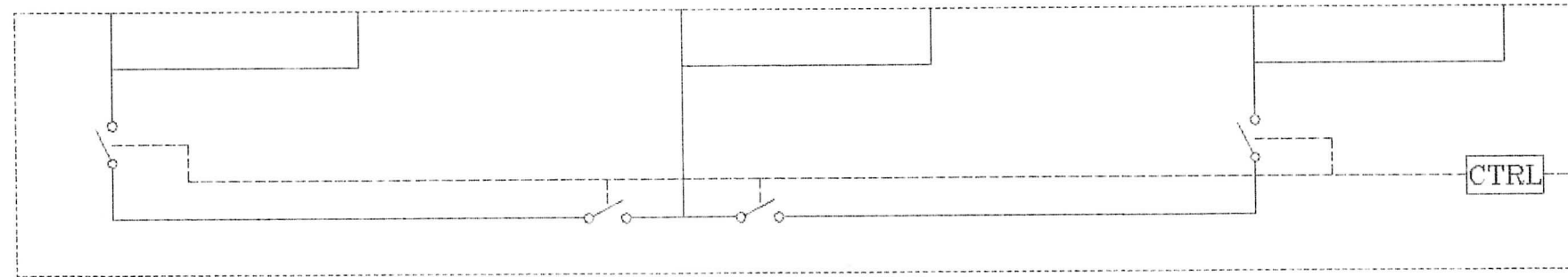
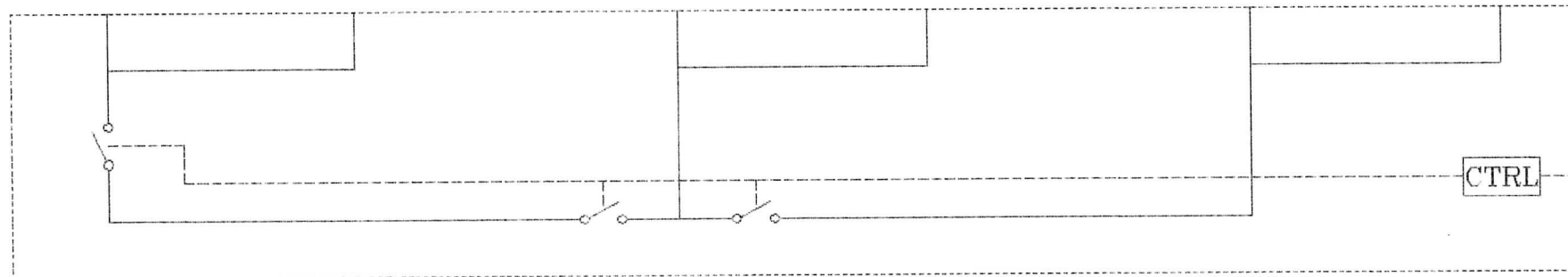
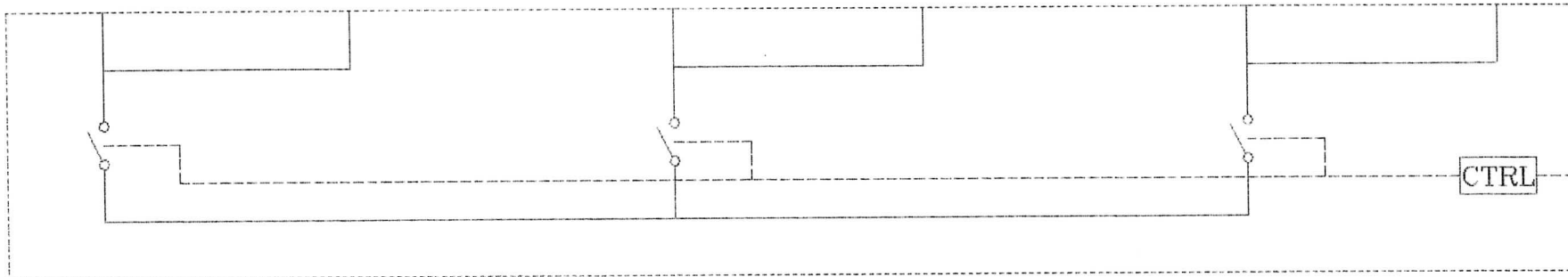
- - - - Information



Propulsion Power Distribution System Options

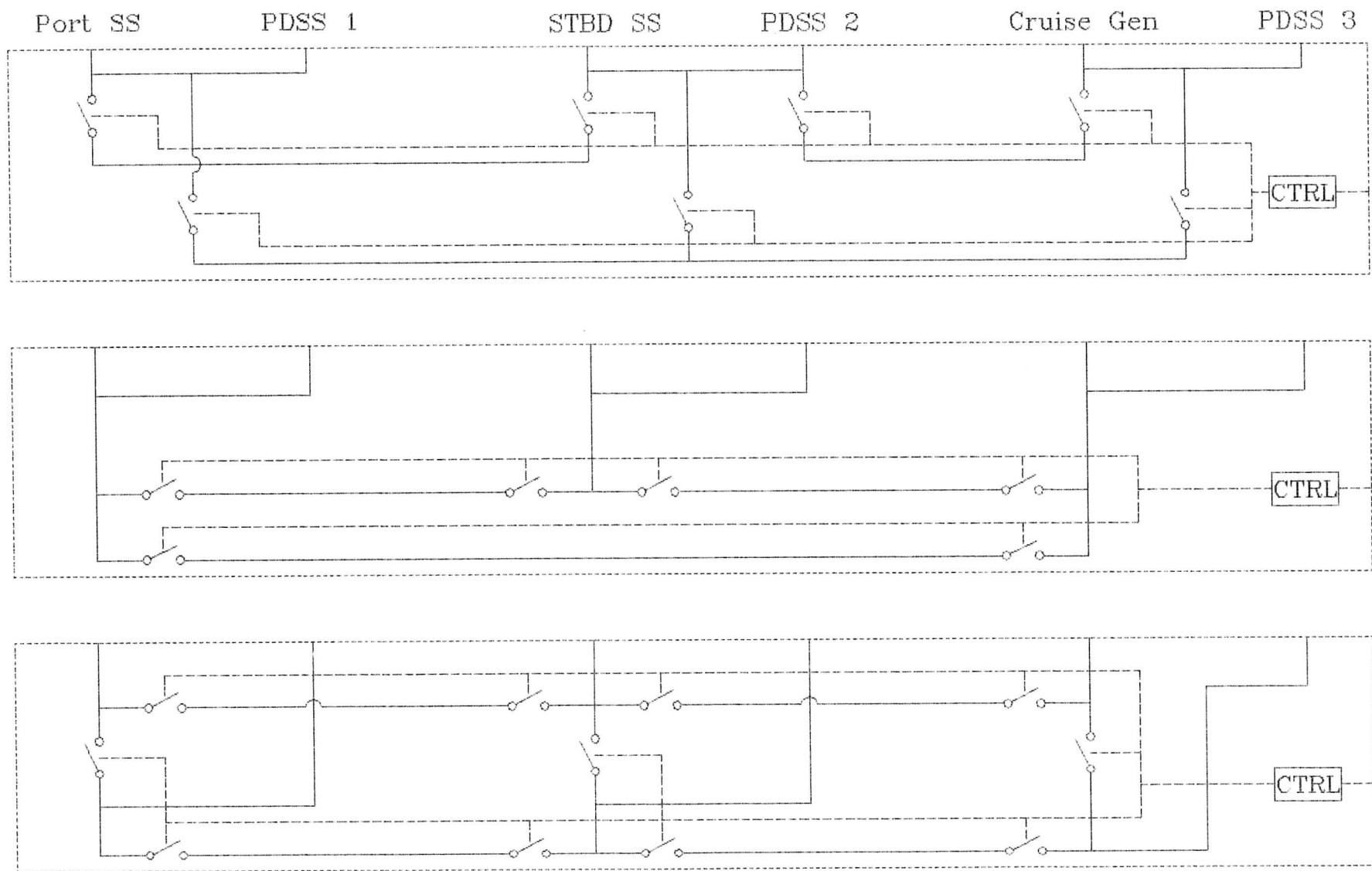
—— Power
----- Information

Port SS PDSS 1 STBD SS PDSS 2 Cruise Gen PDSS 3



Propulsion Power Distribution System Options

—— Power
----- Information

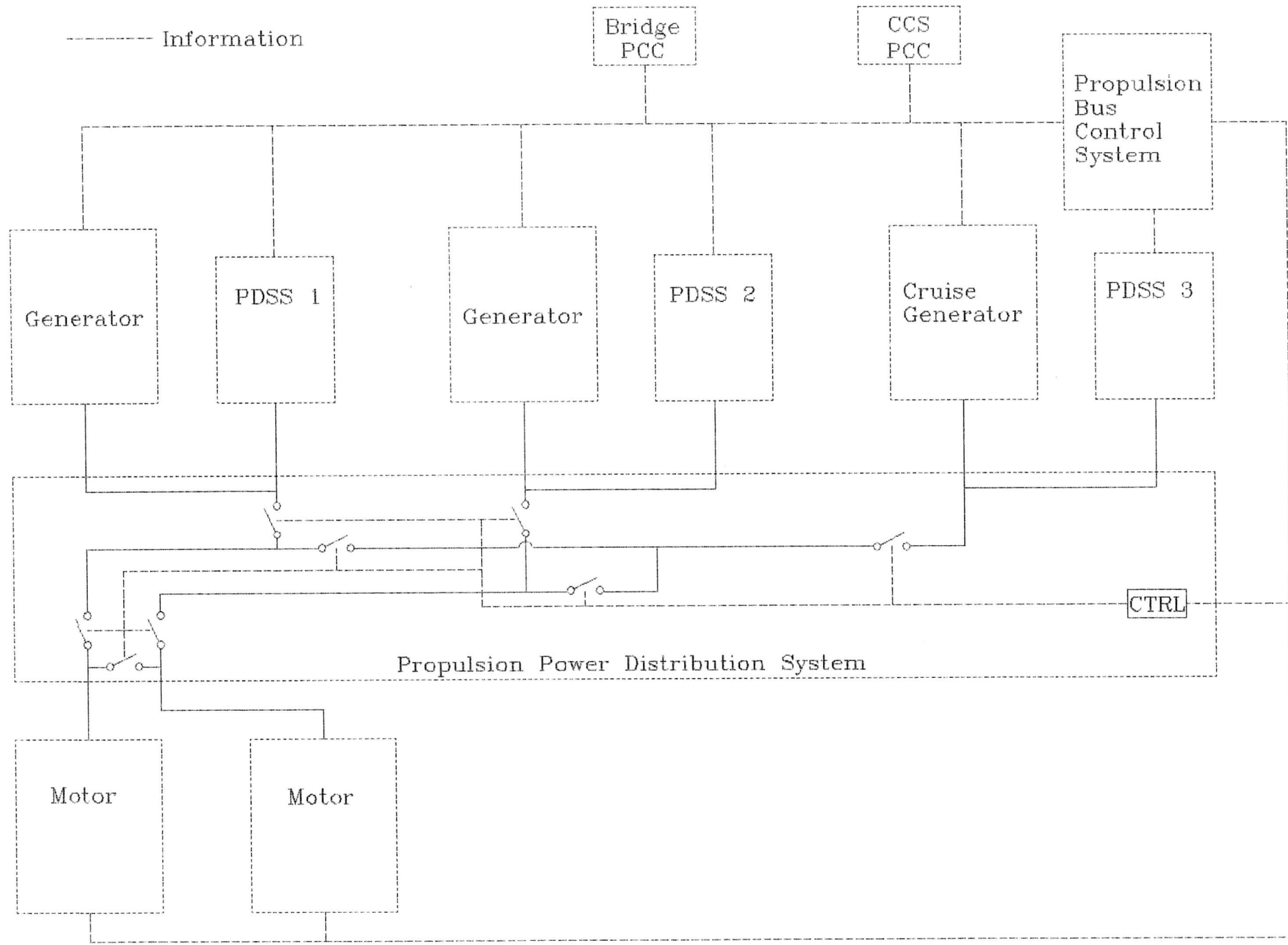


Destroyer Integrated Electric Drive System

19OCT91C

—— Power

- - - - Information



Destroyer Integrated Electric Drive System

19oct91D

—— Power

- - - - Information

Bridge
PCC

CCS
PCC

Propulsion
Bus
Control
System

Generator

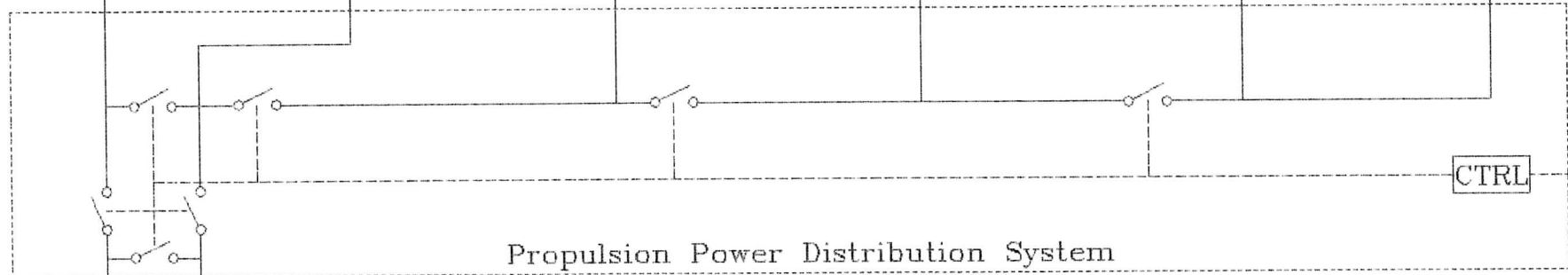
Cruise
Generator

PDSS 1

PDSS 2

Generator

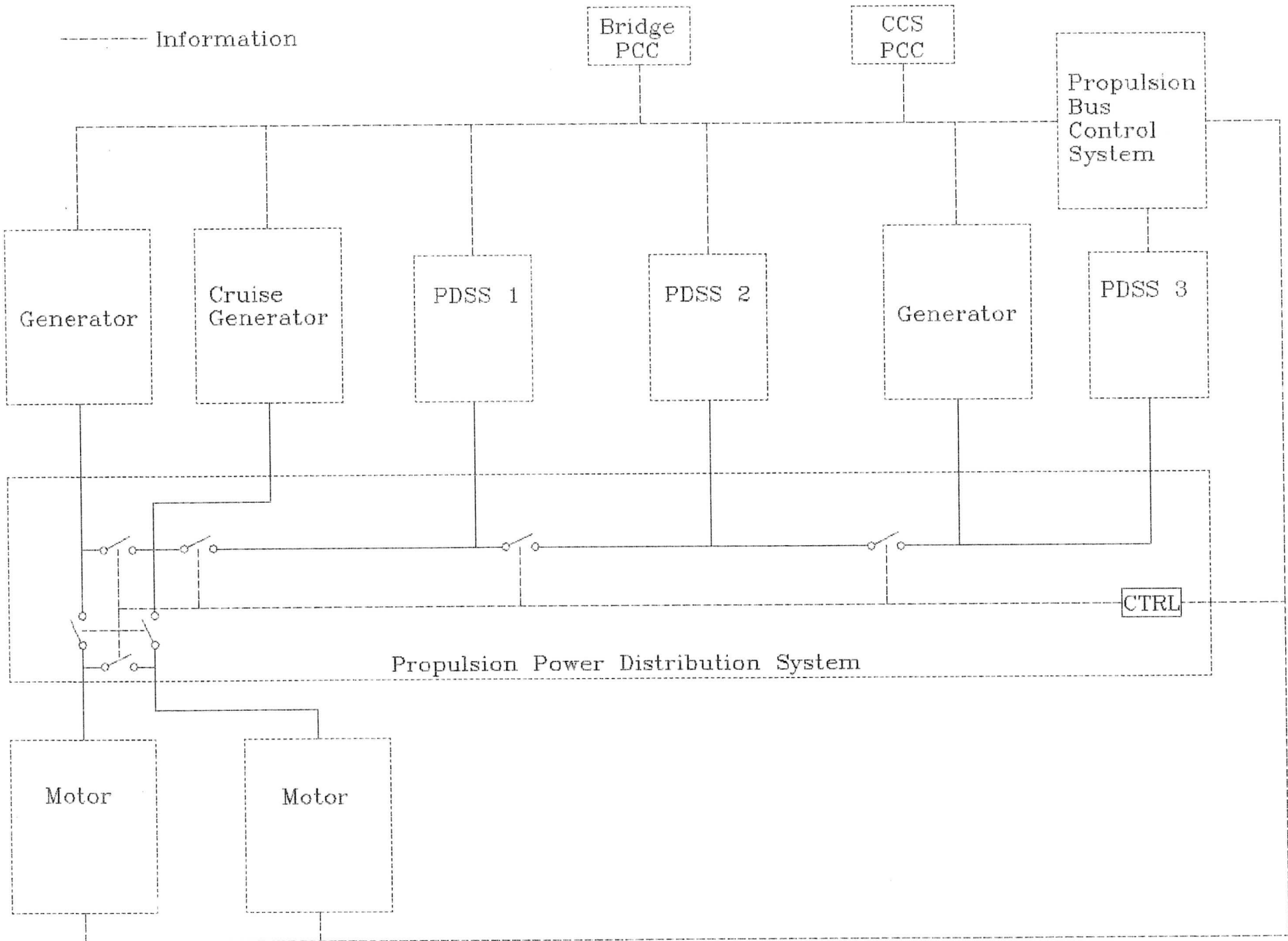
PDSS 3



Propulsion Power Distribution System

Motor

Motor



300CT91

Power

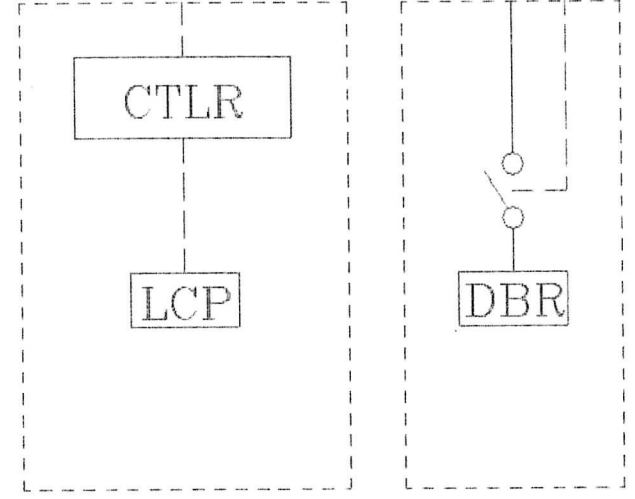
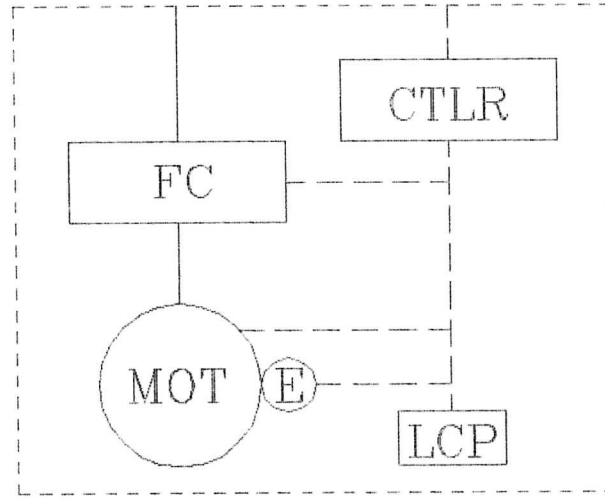
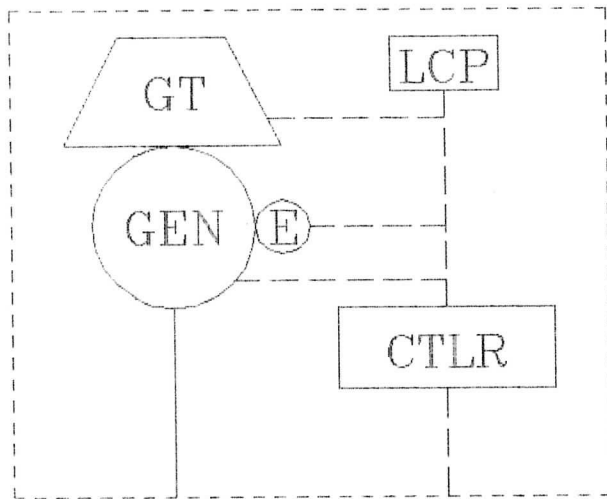
Information

Propulsion

Generator

Motor A Module

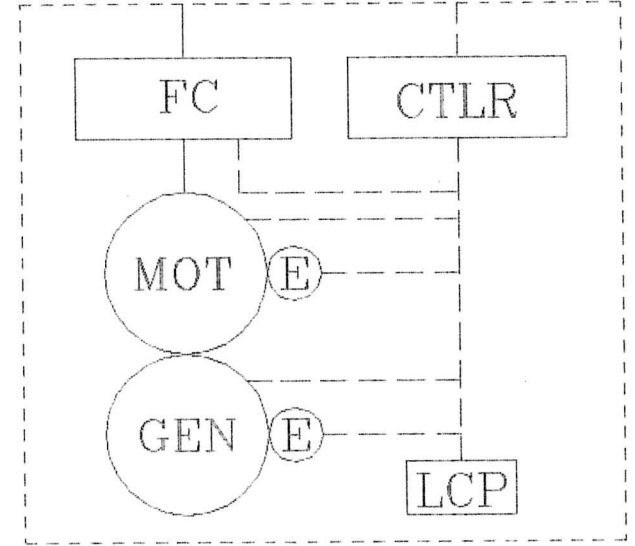
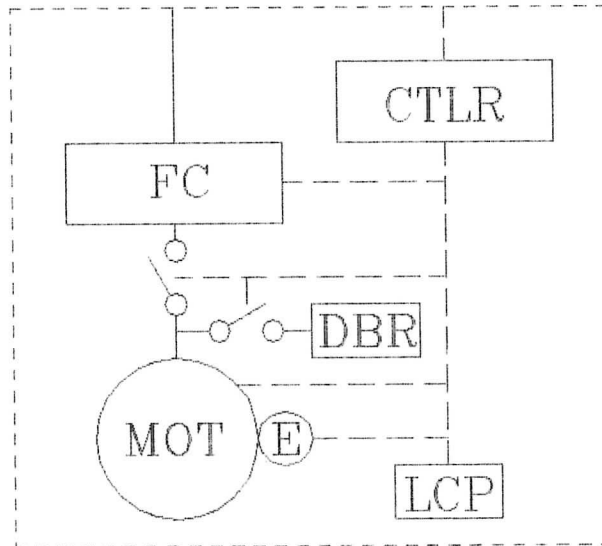
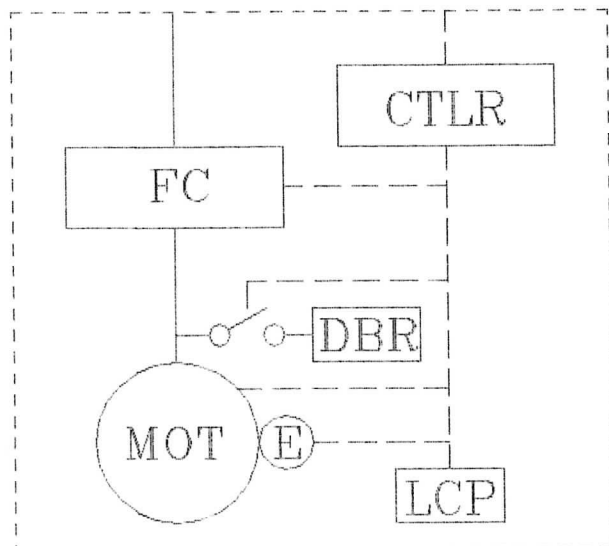
Control Console



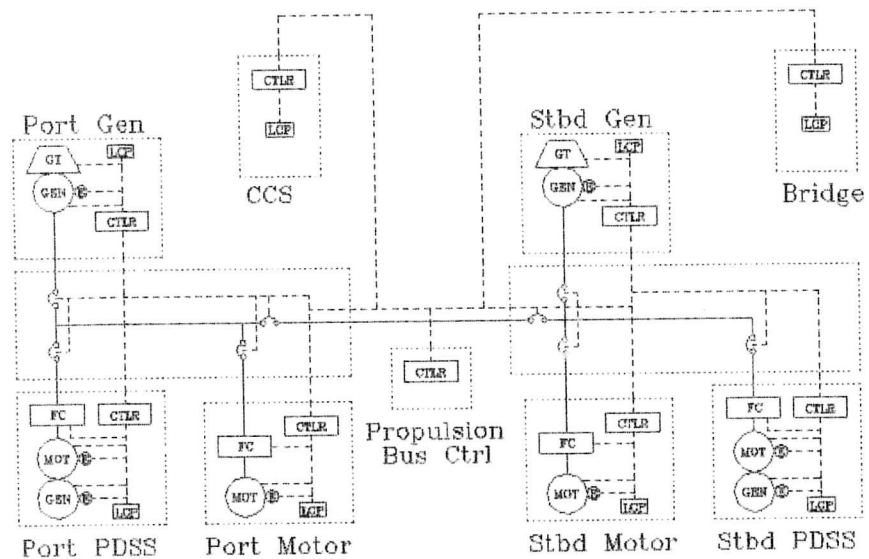
Motor B Module

Motor C Module

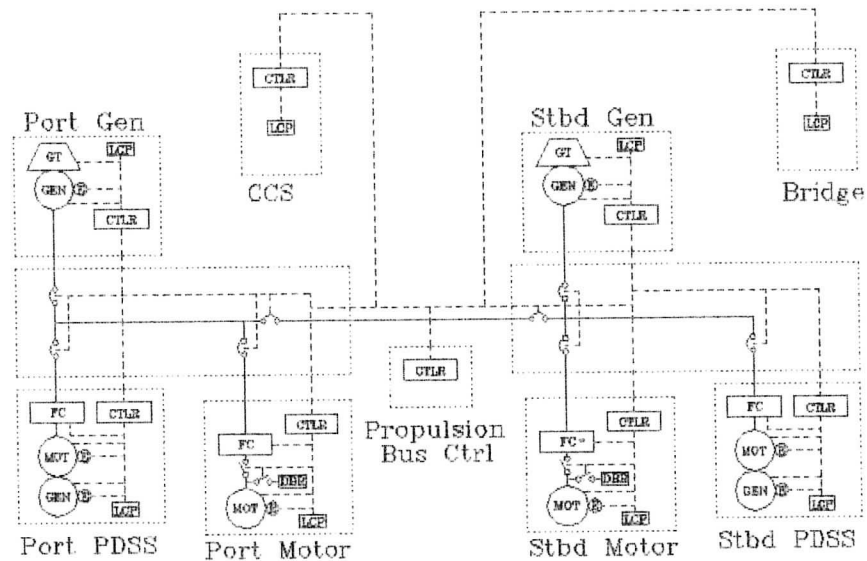
PDSS



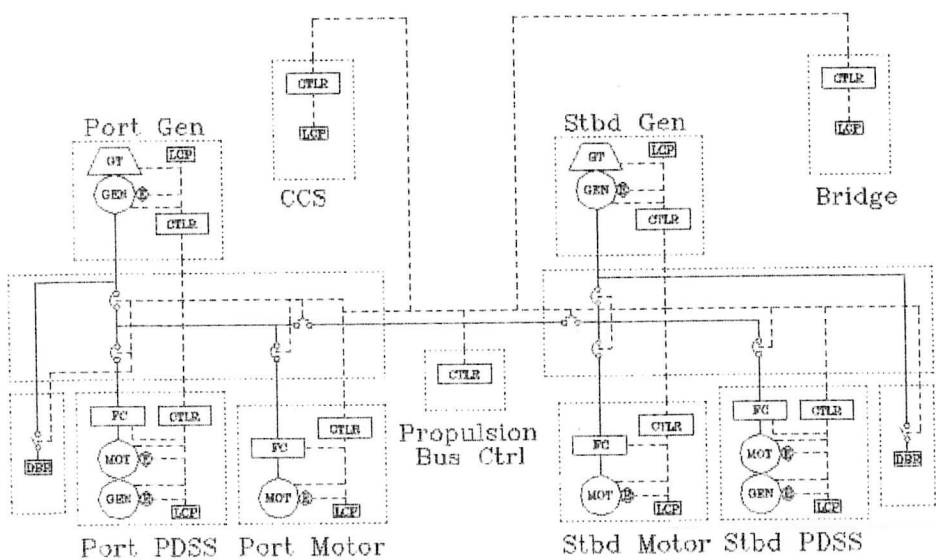
300CT91 — Power — Information
 Configuration A



300CT91 — Power — Information
 Configuration B



300CT91 — Power — Information
 Configuration C



300CT91 — Power — Information
 Configuration D

